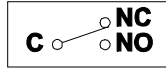
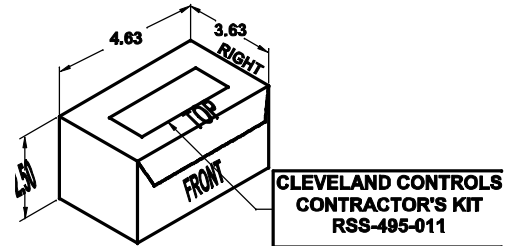


SPECIFICATIONS

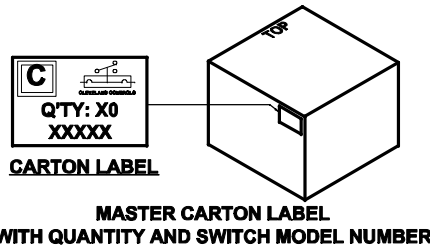
- 1.0 Mounting Position: Diaphragm Horizontal (See Diag. Below).
- 2.0 Set Point: Factory Set at 0.20 ±.05" W.C. (Do Not Seal).
- 2.1 Adjustable Range: 0.20 ±.05" W.C. to 1.00 ±.05" W.C.
- 3.0 Measured Media: Air.
- 4.0 Operating Temperature Range: -40° to 190°F (-40° to 87.8 °C).
- 5.0 Life: 100,000 Cycles Minimum at 1 PSI Maximum Pressure Each Cycle and at Maximum Rated Electrical Load.
- 6.0 Electrical Rating.
- 6.1 5 Amp Non-inductive to 277VAC (60 Hz).
- 6.2 1 Amp Pilot Duty at 120VAC (60Hz).
- 7.0 Snap Switch Logic: SPDT.
- 7.1 Position of Contacts Before Pressure is Applied:



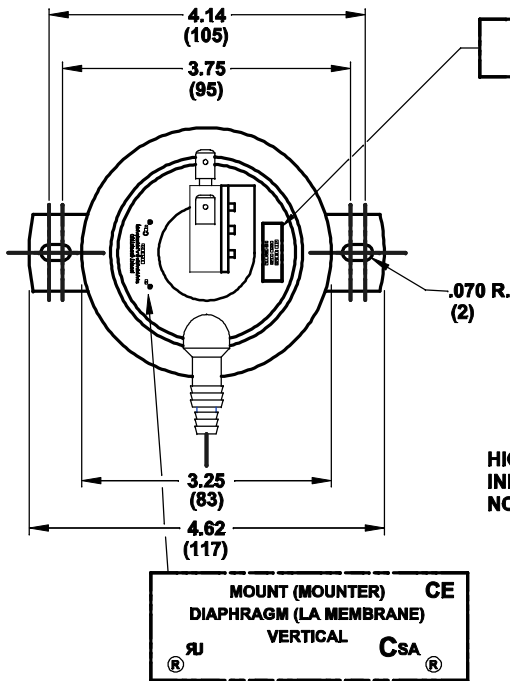
NOTE 1. Sample Line Connector Will Accept 1/4" ID or 3/8" ID Flexible, Slip-on Tubing.
 NOTE 2. Sample Line Connector with .016 Dia. Bleed Hole.
 NOTE 3. Approval or Recognition By: UL File MH6213; CSA File LR18754.



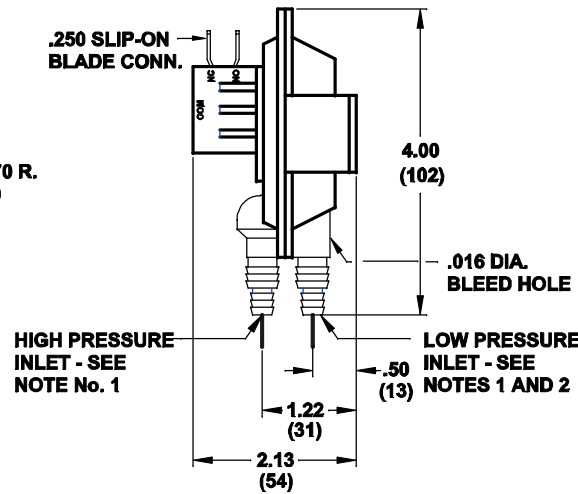
DIMENSIONS
INCHES
(METRIC)



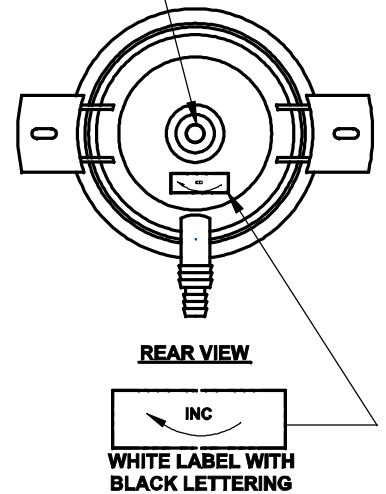
INDIVIDUAL BOX, WITH LABEL, INCLUDES PRODUCT LITERATURE, LTRSS495011, CONTRACTOR KIT P/N 28427 AND SENSING SWITCH



RSS-495-011
DATE CODE
ORIGIN: USA



SETPOINT ADJUSTING SCREW - SEE SPEC No. 2.1



CLEVELAND CONTROLS DIV. OF UNICONTROL INC. MAKES NO REPRESENTATION OR WARRANTY CONCERNING THE SUITABILITY OF THIS DEVICE FOR A SPECIFIC APPLICATION OR PRODUCT. IT IS THE RESPONSIBILITY OF THE USER TO VERIFY THE SUITABILITY OF THIS DEVICE FOR THE SPECIFIC APPLICATION. WHERE AN OPERATING CONTROL FAILURE WOULD RESULT IN PERSONAL INJURY AND/OR LOSS OF PROPERTY, IT IS THE RESPONSIBILITY OF THE USER TO ADD DEVICES OR SYSTEMS THAT PROTECT AGAINST, OR WARN OF, FAILURE OF THIS DEVICE.

REV	DCN No.	DATE	BY	CHKD	SENSING SWITCH SPECIFICATIONS	
E	6073	1/16/14	MJA	RW	CLEVELAND CONTROLS MODEL: RSS-495-011	
D	2935-2	1/7/14	MJA	FL		
C	5685-1	7/31/12	MJA	FL		
B	5528-1	4/20/12	MJA	FL		
A	2935-1	7/26/07	MJA	FL		
DRAWING RELEASE No. 2935 DWN MJA DATE 5/22/05 CHKD FL CHKD FL DATE 5/22/05 SCALE NONE					THIS PRINT IS THE EXCLUSIVE PROPERTY OF CLEVELAND CONTROLS AND CANNOT BE REPRODUCED IN WHOLE OR IN PART OR ISSUED OR DISCLOSED TO THIRD PARTIES WITHOUT THE EXPRESS WRITTEN CONSENT OF CLEVELAND CONTROLS. Cleveland Controls Division of UniControl Inc. 1111 Brookpark Rd. Cleveland, Ohio 44109-5825 .XX = ±.015 .XXX = ±.005 ANGLES = 1	
					USED ON	SHEET 1 OF 1
					A25744-011	E REV